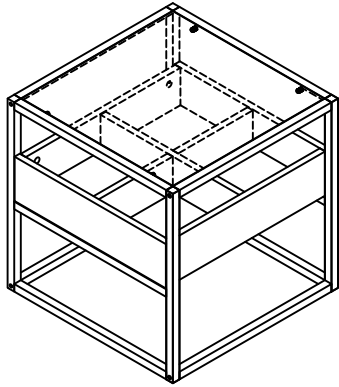


# agata

## SOGNO

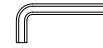


ST-1065

A (M6x35) x8



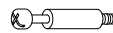
B x1



C (M6x10) x4



D x8



E x8



F x12



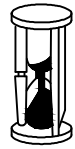
G x4



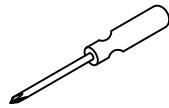
H x4



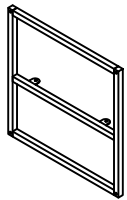
I x2



20 MIN



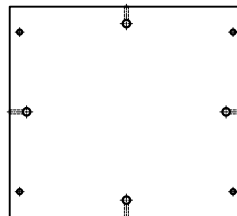
J x8



① x2



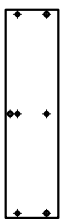
② x4



③ x1



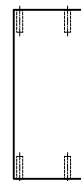
④ x2



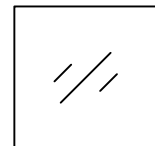
⑤ x2



⑥ x1



⑦ x2



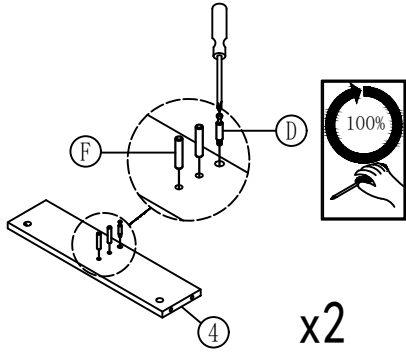
⑧ x1

ST-1065

1/3

# agata

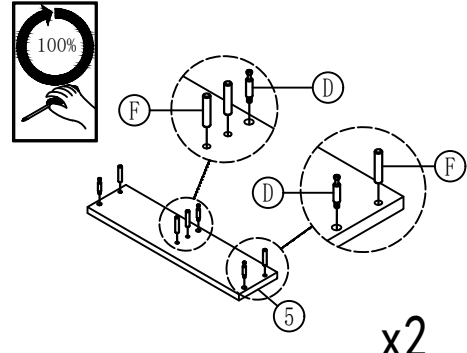
1



x2

Dx2 Fx4

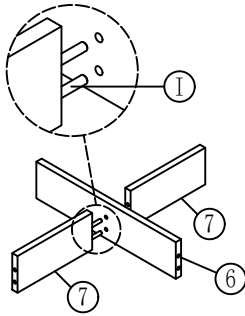
2



x2

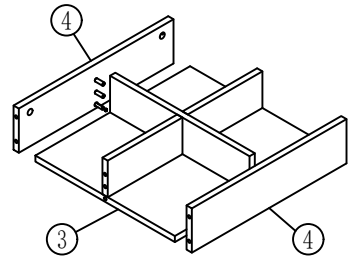
Dx6 Fx8

3

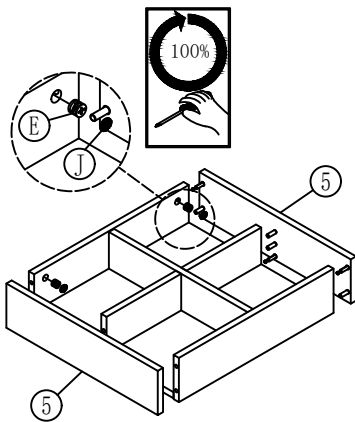


Ix2

4

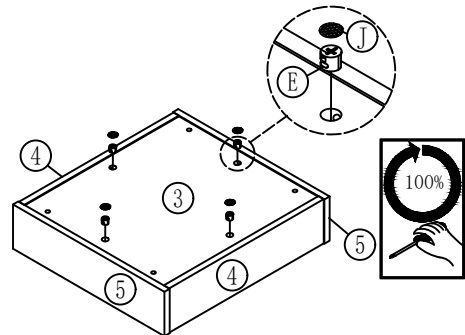


5



Ex4 Jx4

6



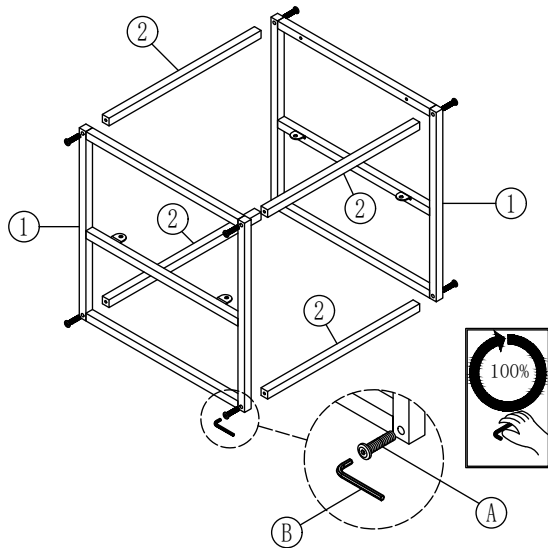
Ex4 Jx4

ST-1065

2/3

# agata

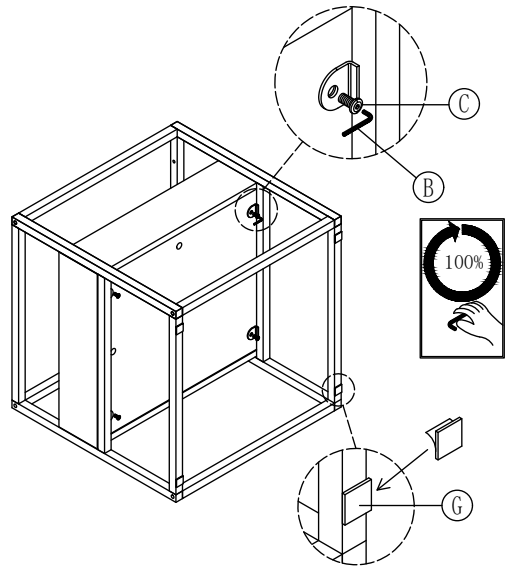
7



Ax8

Bx1

8

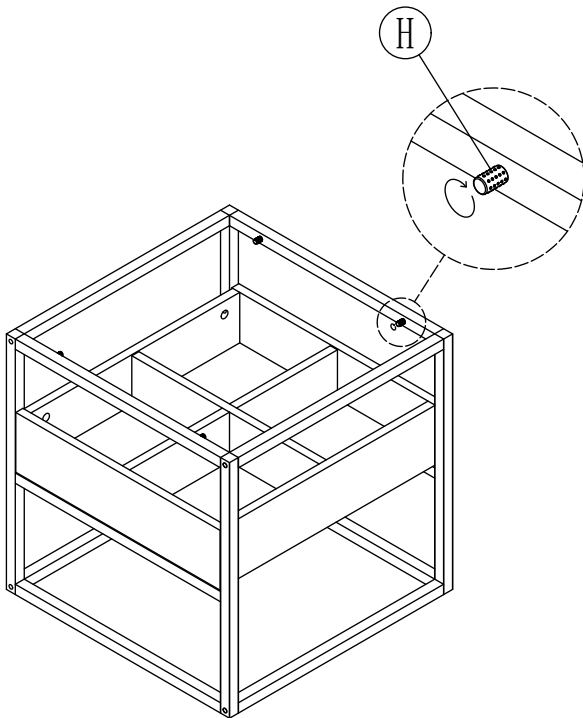


Bx1

Cx4

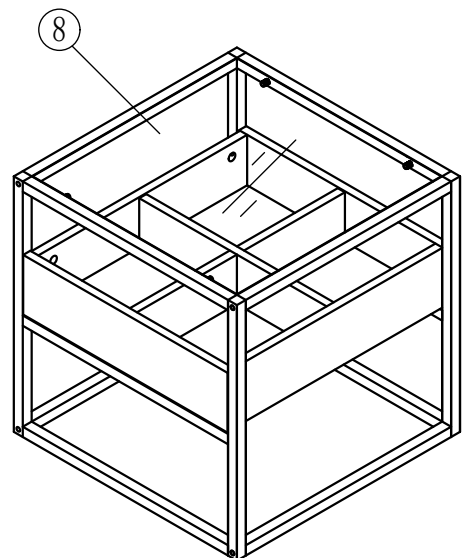
Gx4

9



Hx4

10



ST-1065

3/3